

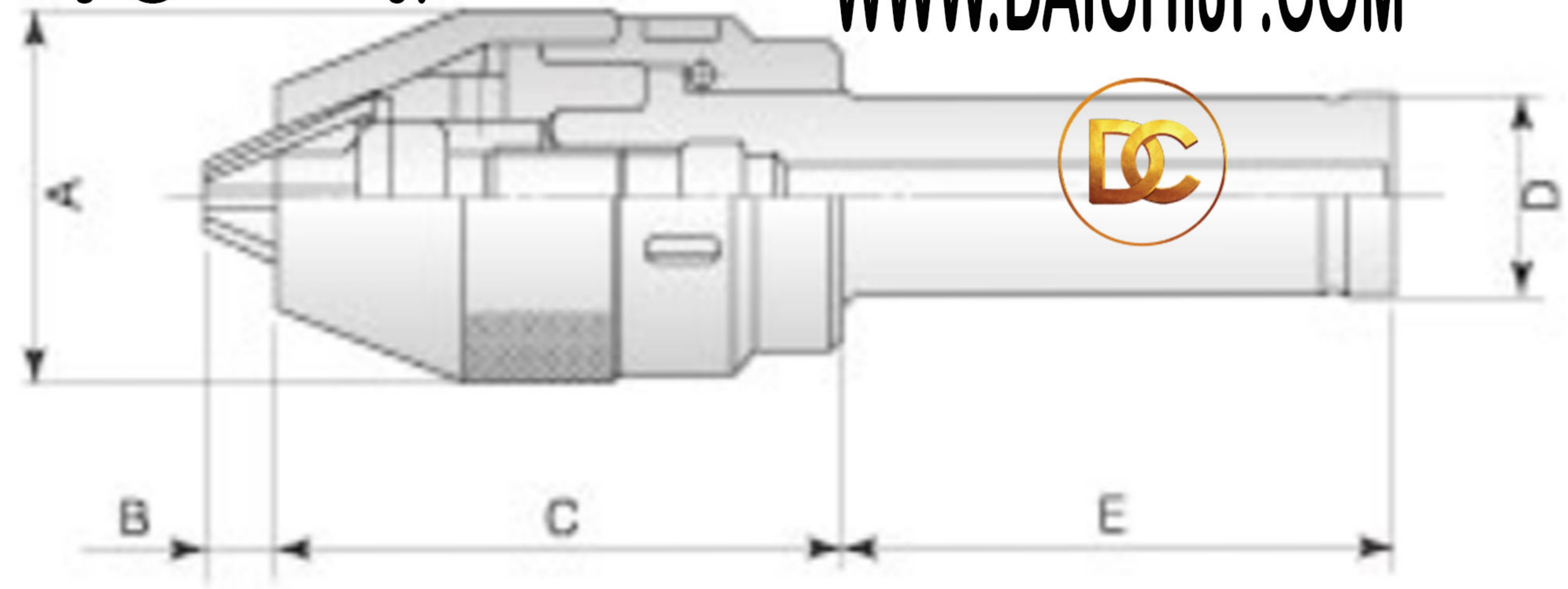
CNC Keyless Drill Chucks with Straight Shank **YUKIWA**

- ◆ Runout accuracy of less than 0.05mm (less than 0.03mm in average) gives a high working efficiency.
- ◆ ST shank and chuck are united to ensure further safety and reliability.
- ◆ Stronger gripping torque by hook spanner and no loosening at emergency stopping.
- ◆ Compact size and short-mount design.

TEL : 0353 478 116

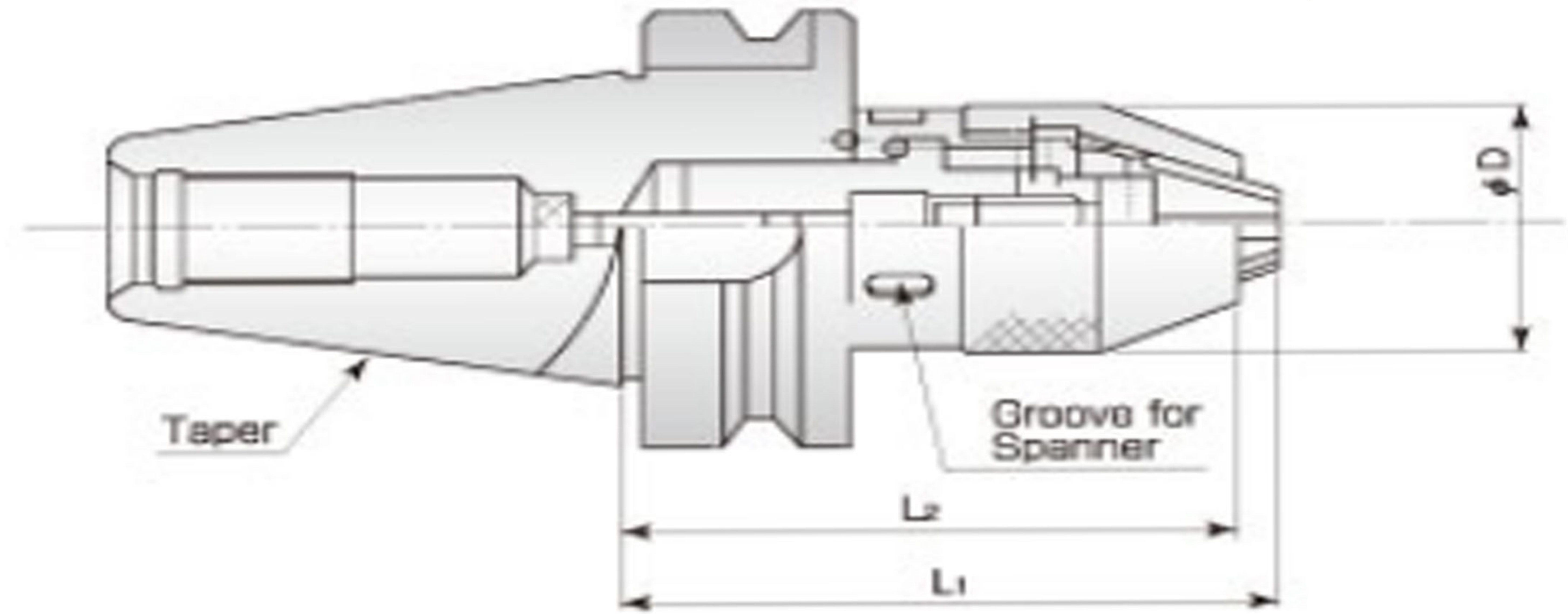
Email : company@daichijp.vn

CÔNG TY TNHH TM DV SX DAI CHI
WWW.DAICHIJP.COM



Unit:mm

Model	Capacity	A	B	C	ϕD	E	Attached Spanner	Weight (kg)
ST20-LCS8-120	0.5~ 8	38	7.5	61	20	60	FS8LC	0.6
-LCS13-140	0.5~13	50	12.5	81			FS13LC	1.2
ST25-LCS13-150	0.5~13	50	12.5	81	25	70	FS13LC	1.3
-LCS16-155	3 ~16	56	13	86			FS16LC	1.7
ST32-LCS13-160	0.5~13	50	12.5	80.5	32	80	FS13LC	1.5
-LCS16-165	3 ~16	56	13	85.5			FS16LC	1.9



Unit: mm

Model	Capacity	D	L1	L2	Taper	Attached Spanner	Weight (kg)
BT30 -LC6.5F-70	0.5~6.5	34	76	70	BT30	FS6.5LC	0.7
-LC13F-90	0.5~13	50	102	90		FS13LC	1.2
BT40 -LC6.5F-75	0.5~6.5	34	81	75	BT40	FS6.5LC	1.4
-LC6.5F-115			121	115			1.6
-LC6.5F-155			161	155			1.8
-LC13F-95	0.5~13	50	107	95		FS13LC	1.9
-LC13F-135			147	135			2.4
-LC13F-175			187	175			2.9
-LC16F-100	3~16	56	113	100		FS16LC	2.2
-LC16F-140			153	140			2.9
-LC16F-180			190	180			3.6
BT50 -LC6.5F-85	0.5~6.5	34	91	85	BT50	FS6.5LC	4.1
-LC6.5F-130			136	130			4.3
-LC6.5F-175			181	175			5.1
-LC13F-105	0.5~13	50	117	105		FS13LC	4.8
-LC13F-150			162	150			5.4
-LC13F-195			207	195			5.7
-LC16F-110	3~16	56	123	110		FS16LC	4.9
-LC16F-155			168	155			5.6
-LC16F-200			208	200			6.4

CÔNG TY TNHH TM DV SX DAI CHI
WWW.DAICHIP.COM



TEL : 0353 478 116

Email : company@daichip.vn

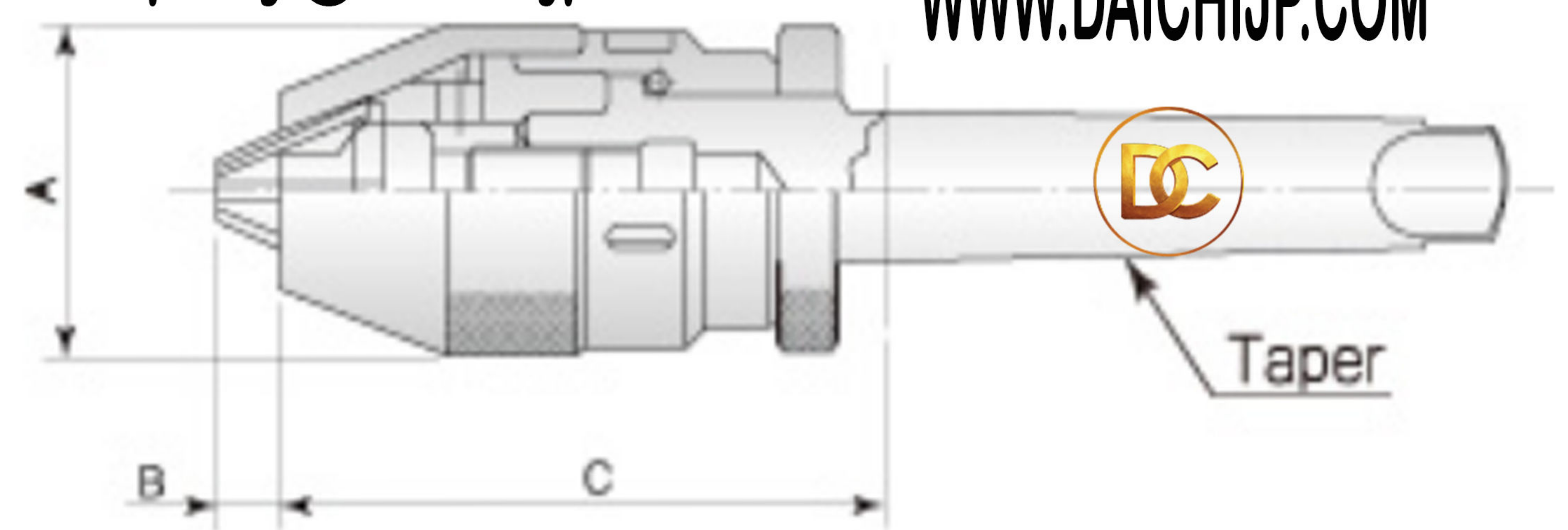
CNC Keyless Drill Chucks with MT Shank

YUKIWA

- ◆ Runout accuracy of less than 0.05mm (less than 0.03mm in average) gives a high working efficiency.
- ◆ MT shank and chuck are united to ensure further safety and reliability.
- ◆ Stronger gripping torque by hook spanner and no loosening at emergency stopping.
- ◆ Compact size and short-mount design.

TEL : 0353 478 116 Email : company@daichijp.vn

**CÔNG TY TNHH TM DV SX DAI CHI
WWW.DAICHJP.COM**



Model	Capacity	A	B	C	Taper	Attached Spanner	Weight (kg)
M2T -LCS8-75	0.5~ 8	38	7.5	73.5	MT2	FS8LC	0.7
-LCS13-95	0.5~13	50	12.5	97		FS13LC	1.3
M3T -LCS13-95	0.5~13	50	12.5	97	MT3	FS13LC	1.4
-LCS16-100	3 ~16	56	13	102		FS16LC	1.9
M4T -LCS13-95	0.5~13	50	12.5	97	MT4	FS13LC	1.7
-LCS16-100	3 ~16	56	13	102		FS16LC	2.2

Unit:mm